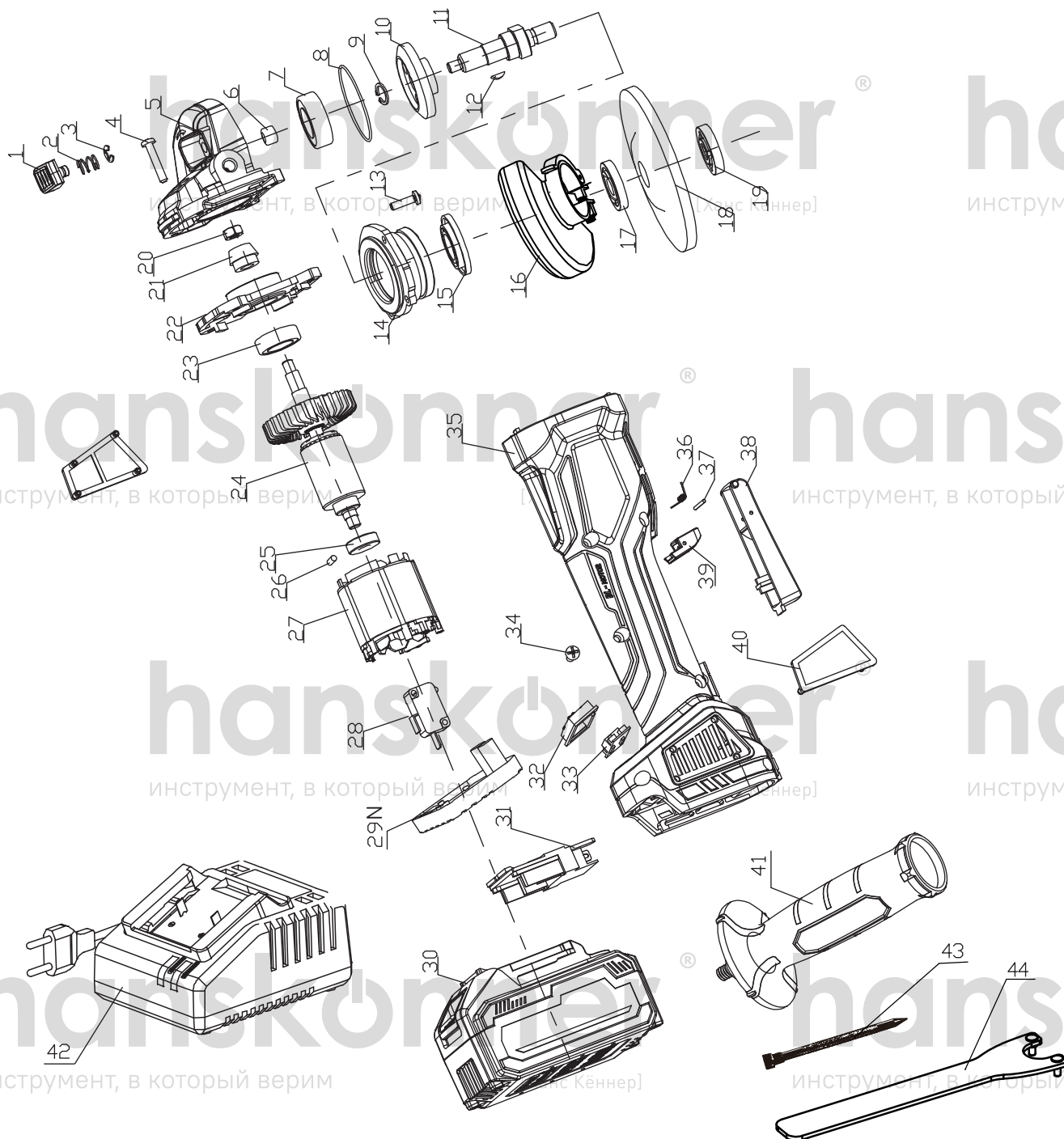


HAG1812E



NO.	DESCRIPTION
1	SPINDLE LOCK
2	SPINDLE LOCK SPRING
3	CIRCLIP 5MM
4	TAPPING SCREW ST4X20
5	GEAR BOX
6	NEEDLE BEARING
7	BEARING 6201
8	O RING
9	CIRCLIP 11MM
10	BIG GEAR
11	SPINDLE
12	KEY
13	SCREW M4X12
14	FRONT COVER
15	ANTI-DUST COVER
16	GUARD
17	DOWN FLANGE
18	GRINDING DISC
19	UPPER FLANGE
20	NUT M8
21	PINION
22	MIDDLE COVER
23	BEARING 629
24	ROTOR
25	BEARING 607
26	RUBBER PIN
27	STATOR
28	SWITCH
29N	PCB
30	BATTERY PACK
31	CONNECTION FOOT
32	TRANSPARE COVER
33	DIGITAL DISPLAY PANEL
34	TAPPING SCREW ST4X16
35	HOUSING
36	TWIST SPRING
37	PIN
38	SWITCH TRIGGER
39	ANTI-LOCKING BUTTON
40	ANTI-DUST NET
41	SIDE HANDLE
42	CHARGER
43	SCRIBER
44	SPANNER